

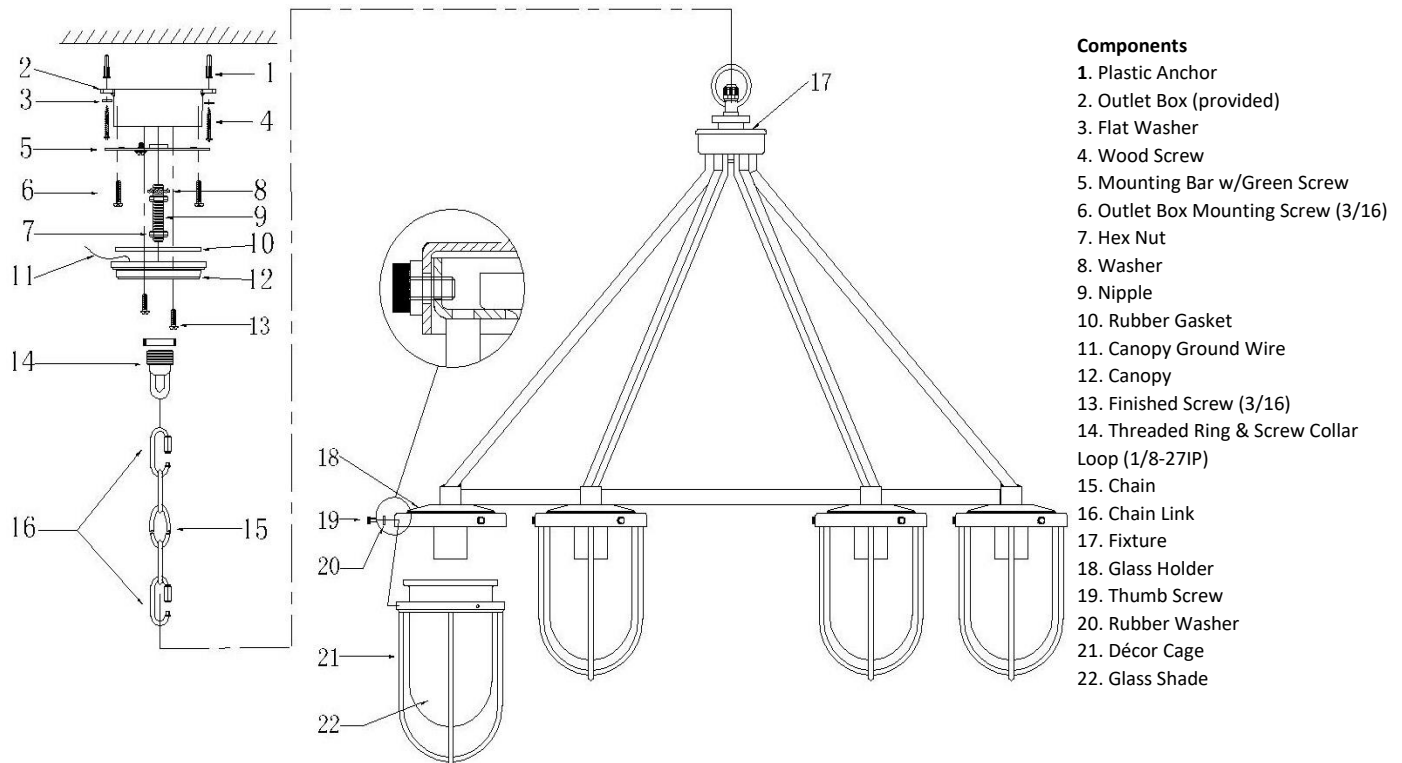


LIGHTING FIXTURE COMPANY

## ASSEMBLY AND INSTALLATION INSTRUCTIONS for the **934261** Outdoor Fixture

### Important Safety information (Please read before proceeding)

1. Remove the fixture, parts and all mounting hardware bags (orange) from the carton and verify that all parts are present according to the illustration sheet. All parts must be used as indicated. Do not replace any parts, leave any parts out, or use any parts which are worn out or broken. **Failure to follow the instructions could cause a hazardous situation, voids the warranty and violates the U.L. listing of the fixture.**
2. To prevent the electric shock, turn off the main power at the circuit breaker before installing the fixture. **NEVER attempt to install, clean or replace bulbs without shutting off the electricity to the fixture.**
3. **Never use light bulbs with wattage ratings that exceed the fixtures maximum rating.** Always make sure the electric current is turned off before changing the bulbs.
4. If you experience difficulties installing the lighting fixture or it fails to work as expected, please contact a local qualified licensed electrical contractor.
5. Please contact your local Capital Lighting Fixture reseller with any assembly or installation questions. Your local reseller can also provide you with replacement parts for your new fixture.
6. **The supply wire connection into the electrical outlet box should be sealed to local building standards (Closure Plugs, Gasket and Grounding Screw included).**



### Components

1. Plastic Anchor
2. Outlet Box (provided)
3. Flat Washer
4. Wood Screw
5. Mounting Bar w/Green Screw
6. Outlet Box Mounting Screw (3/16)
7. Hex Nut
8. Washer
9. Nipple
10. Rubber Gasket
11. Canopy Ground Wire
12. Canopy
13. Finished Screw (3/16)
14. Threaded Ring & Screw Collar Loop (1/8-27IP)
15. Chain
16. Chain Link
17. Fixture
18. Glass Holder
19. Thumb Screw
20. Rubber Washer
21. Décor Cage
22. Glass Shade

### Assembly Instructions for the 934261 Wet Rated Outdoor chain hanging fixture with Outlet Box provided

1. Determine desired location for Fixture (17) hanging. Find appropriate mounting holes on both tabs of Outlet Box (2) provided, assemble Outlet Box (2) to mounting surface using hardware suitable for material of mounting surface. Mark position of holes on mounting surface before using provided Plastic Anchors (1), drill appropriate holes and assemble as illustrated. Attach Outlet Box (2) to mounting surface with Flat Washers (3) and Wood Screws (4) tightly.
2. Take Nipple (9) from parts bag and screw in Screw Collar Loop (14), and run one Hex Nut (7) with Washer (8) down Nipple (9), then screw Nipple (9) into Mounting Bar (5). Mounting Bar (5) must be positioned with extruded thread faced into Outlet Box (2). Nipple (9) must protrude out the back of Mounting Bar (5).
3. Attach Mounting Bar (5) to Outlet Box (2) with Outlet Box Mounting Screws (6), then raise and set Rubber Gasket (10) channel onto Outlet Box (2) flat and stably.
4. Unscrew the Threaded Ring from Screw Collar Loop (14). After that, take Canopy (12) and pass over Screw Collar Loop (14). Approximately one half of the Screw Collar Loop exterior threads should be exposed. Adjust Screw Collar Loop (14) by turning assembly up or down in Mounting Bar (5). Remove Canopy (12).
5. After desired position is found, tighten Nipple (9) with one Hex Nut (7) onto Screw Collar Loop (14) and tighten another Hex Nut (7) with Washer (8) against the Mounting Bar (5).
6. Slip Canopy (12) over Screw Collar Loop (14) and thread on Threaded Ring. Attach Chain (15) and Chain Link (16) with fixture connected to bottom of Screw Collar Loop (14). Unscrew Threaded Ring, let Canopy (12) and Threaded Ring slip down.
7. Pass lead wire and ground wire through chain links no more than 3 inches apart, then pass wires through Threaded Ring, Canopy (12), Screw Collar Loop (14), Nipple (9) and into Outlet Box (2).
8. Connect fixture ground wire and Canopy Ground Wire (11) to the outlet box ground wire with wire connector supplied; connect the common wire of the lamp cord to the power supply white wire with wire connector supplied; connect supply wire of the lamp cord to the power supply black wire with wire connector supplied. *Note: This fixture is wired using 2 conductor Lamp cord. The insulation between the two conductors on the lamp cord can be split down the center for better access to the two conductors. The common wire on the lamp cord is identified as the conductor with ribs embossed in the rubber wire insulation.*
9. Raise Canopy (12) to ceiling, verify all wires are securely inside Canopy (12), make sure both assembling holes of Canopy (12) and Outlet Box (2) are in line, then secure Canopy (12) in place by screwing Finished Screws (13) with Philips Screw Driver (not provided) and tightening Threaded Ring onto Screw Collar Loop (14).
10. Insert recommended bulbs per wattage label indicated onto Sockets.
11. Lower Glass Shades (22) into Decor Cages (21), raise Decor Cages (21) and Glass Shades (22) over Sockets onto Glass Holders (18) of Fixture (17), make sure both assembling holes of Decor Cages (21) and Glass Holders (18) are in line, then secure them with Rubber Washers (20) and Thumb Screws (19) provided.

### Note: Guide for Outdoor Mounting Fixture and/or in Wet Locations:

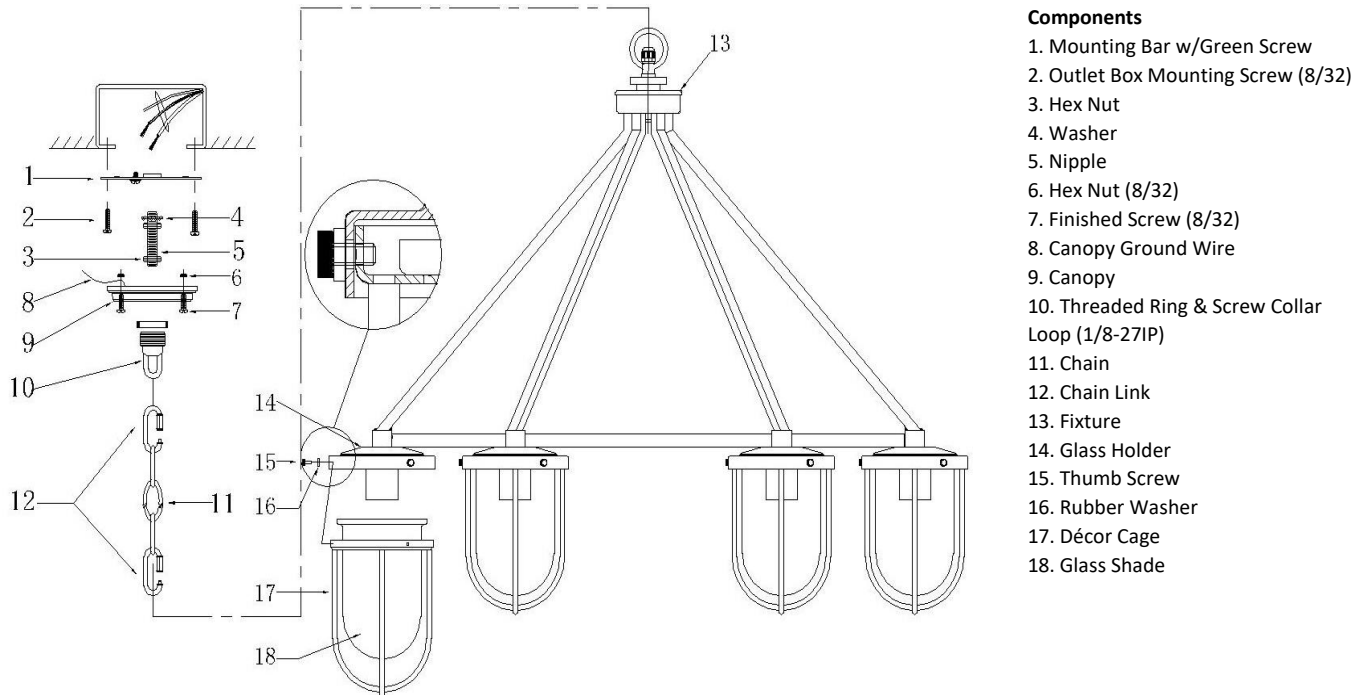
1. Mounting surface should be clean, dry, flat and 1/4" larger than the canopy on all sides. Any gaps between mounting surface and canopy exceeding 3/16" should be corrected as required.
2. Use silicone caulking compound (not provided), caulk completely around where back of canopy meets wall surface to prevent water from seeping into outlet box.



## ASSEMBLY AND INSTALLATION INSTRUCTIONS for the **934261** Outdoor Fixture

### Important Safety information (Please read before proceeding)

1. Remove the fixture, parts and all mounting hardware bags (orange) from the carton and verify that all parts are present according to the illustration sheet. All parts must be used as indicated. Do not replace any parts, leave any parts out, or use any parts which are worn out or broken. **Failure to follow the instructions could cause a hazardous situation, voids the warranty and violates the U.L. listing of the fixture.**
2. To prevent the electric shock, turn off the main power at the circuit breaker before installing the fixture. **NEVER attempt to install, clean or replace bulbs without shutting off the electricity to the fixture.**
3. **Never use light bulbs with wattage ratings that exceed the fixtures maximum rating.** Always make sure the electric current is turned off before changing the bulbs.
4. If you experience difficulties installing the lighting fixture or it fails to work as expected, please contact a local qualified licensed electrical contractor.
5. Please contact your local Capital Lighting Fixture reseller with any assembly or installation questions. Your local reseller can also provide you with replacement parts for your new fixture.



### Components

1. Mounting Bar w/Green Screw
2. Outlet Box Mounting Screw (8/32)
3. Hex Nut
4. Washer
5. Nipple
6. Hex Nut (8/32)
7. Finished Screw (8/32)
8. Canopy Ground Wire
9. Canopy
10. Threaded Ring & Screw Collar Loop (1/8-27IP)
11. Chain
12. Chain Link
13. Fixture
14. Glass Holder
15. Thumb Screw
16. Rubber Washer
17. Décor Cage
18. Glass Shade

### Assembly Instructions for the 934261 Wet Rated Outdoor chain hanging fixture

1. Take Nipple (5) from parts bag and screw in Screw Collar Loop (10), and run one Hex Nut (3) with Washer (4) down Nipple (5), then screw Nipple (5) into Mounting Bar (1). Mounting Bar (1) must be positioned with extruded thread faced into Outlet Box. Nipple (5) must protrude out the back of Mounting Bar (1).
2. Attach Mounting Bar (1) to Outlet Box with Outlet Box Mounting Screws (2).
3. Unscrew the Threaded Ring from Screw Collar Loop (10). Pass Finished Screws (7) through both mounting holes of Canopy (9) front side, then secure them with Hex Nuts (6) tightly. After that, take Canopy (9) and pass over Screw Collar Loop (10). Approximately one half of the Screw Collar Loop exterior threads should be exposed. Adjust Screw Collar Loop (10) by turning assembly up or down in Mounting Bar (1). Remove Canopy (9).
4. After desired position is found, tighten Nipple (5) with one Hex Nut (3) onto Screw Collar Loop (10) and tighten another Hex Nut (3) with Washer (4) against the Mounting Bar (1).
5. Slip Canopy (9) over Screw Collar Loop (10) and thread on Threaded Ring. Attach Chain (11) and Chain Link (12) with fixture connected to bottom of Screw Collar Loop (10). Unscrew Threaded Ring, let Canopy (9) and Threaded Ring slip down.
6. Pass lead wire and ground wire through chain links no more than 3 inches apart, then pass wires through Threaded Ring, Canopy (9), Screw Collar Loop (10), Nipple (5) and into Outlet Box.
7. Connect fixture ground wire and Canopy Ground Wire (8) to the outlet box ground wire with wire connector supplied; connect the common wire of the lamp cord to the power supply white wire with wire connector supplied; connect supply wire of the lamp cord to the power supply black wire with wire connector supplied. *Note: This fixture is wired using 2 conductor Lamp cord. The insulation between the two conductors on the lamp cord can be split down the center for better access to the two conductors. The common wire on the lamp cord is identified as the conductor with ribs embossed in the rubber wire insulation.*
8. Raise Canopy (9) to ceiling, verify all wires are securely inside Canopy (9), then secure Canopy (9) in place by tightening Threaded Ring onto Screw Collar Loop (10).
9. Insert recommended bulbs per wattage label indicated onto Sockets.
10. Lower Glass Shades (18) into Decor Cages (17), raise Decor Cages (17) and Glass Shades (18) over Sockets onto Glass Holders (14) of Fixture (13), make sure both assembling holes of Decor Cages (17) and Glass Holders (14) are in line, then secure them with Rubber Washers (16) and Thumb Screws (15) provided.

### Note: Guide for Outdoor Mounting Fixture and/or in Wet Locations:

1. Mounting surface should be clean, dry, flat and 1/4" larger than the canopy on all sides. Any gaps between mounting surface and canopy exceeding 3/16" should be corrected as required.
2. Use silicone caulking compound (not provided), caulk completely around where back of canopy meets the wall surface to prevent water from seeping into outlet box.